

Product: Coaxial Isolator

Part Number: LGL-1.5/3-SMA



Specification				
No.	Parameter	+25°C	0~+60°C	Units
1	Frequency range	1.5-3		GHz
2	Insertion Loss	≤0.4	≤0.5	dB
3	Isolation	≥18	≥16	dB
4	VSWR	≤1.3	≤1.4	dB
5	Impedance	50		Ω
6	Forward Power	100W/AV ;100W/RV		
7	Operating Temperature Range	0~+60°C		
8	Connector	SMA-F		
9	Direction	1→2→ clockwise		

Mechanical Specifications	
Housing	Aluminum oxidation
Connector	ternary alloy three-part alloy
Contact:	gold plated beryllium brass
Rohs	compliant
Weight	0.1kg

Outline Drawing:

All Dimensions in mm

Tolerances : Unnoted tolerances are in class m of GB-T1804-2000

All Connectors: SMA

成都利德尔科技有限公司 ChengDu Leader Microwave Technology Co.,Ltd

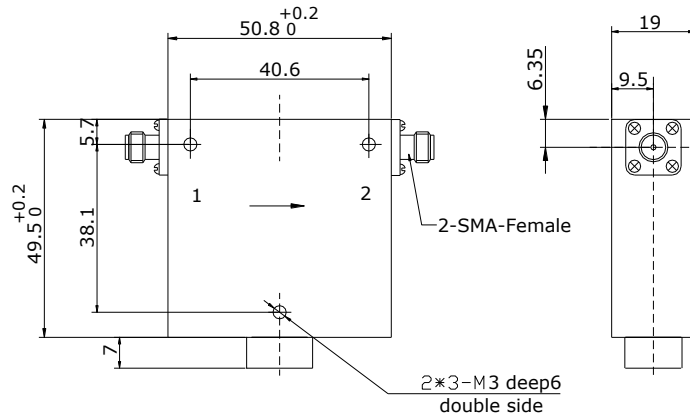
电话: 028-65199117 传真: 028-65199116

<http://www.leadermicrowave.com> [sales@leader-mw.com](mailto:sales@leader-mw.com)

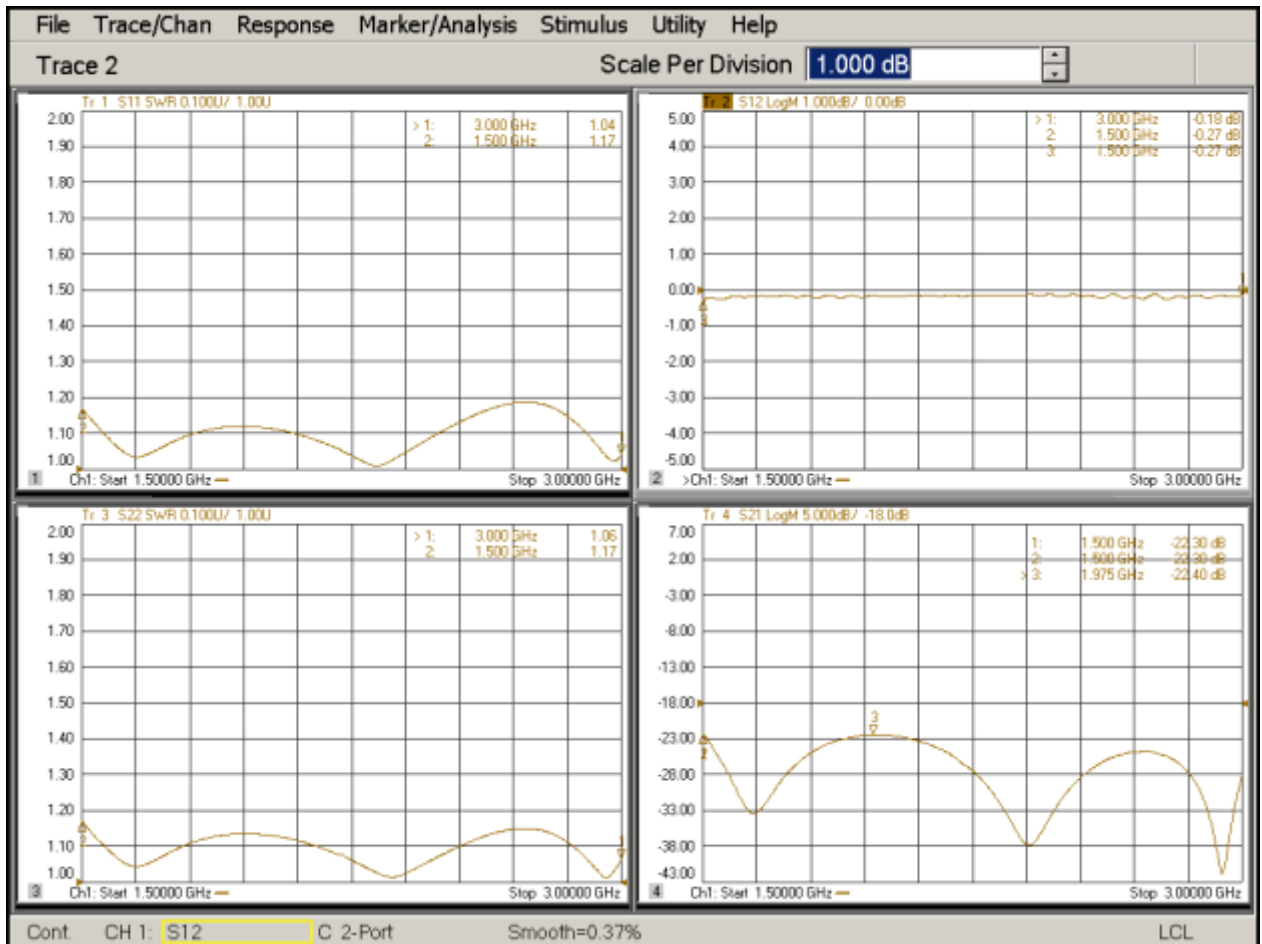
TEL: +86-28-65199117 FAX: +86-28-65199116

Add: 中国 成都市成华区华翰路 89 号 610000

No.89,Huahan Road, chenghua Zone Chengdu, Sichuan China Zip Code:610000



Test data



成都利德尔科技有限公司 ChengDu Leader Microwave Technology Co.,Ltd

电话: 028-65199117 传真: 028-65199116

http://www.leadermicrowave.com sales@leader-mw.com

TEL: +86-28-65199117 FAX: +86-28-65199116

Add: 中国 成都市成华区华翰路 89 号 610000

No.89,Huahan Road, chenghua Zone Chengdu, Sichuan China Zip Code:610000